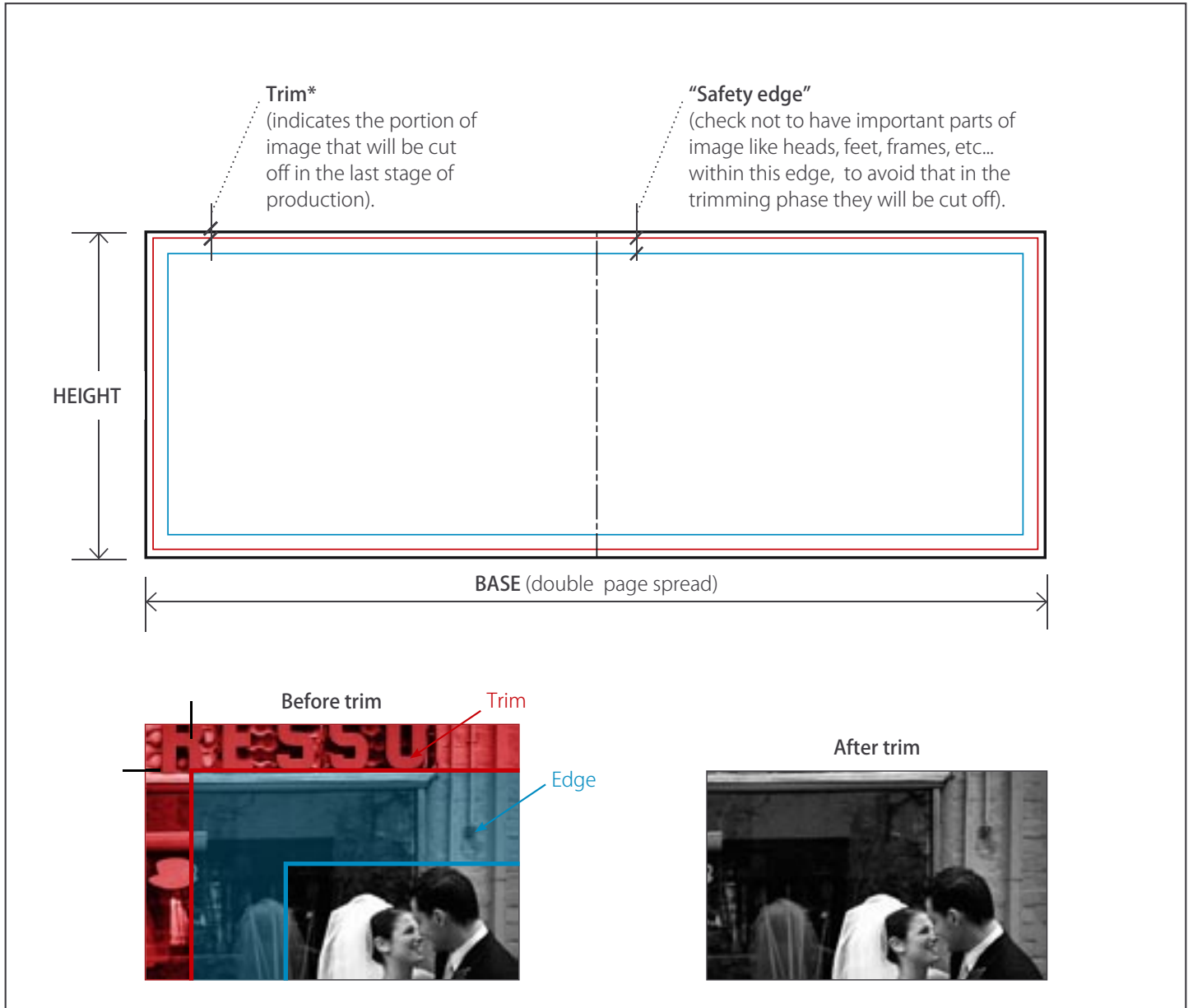


Print & Bind: landscape book

Update:10/03/2006



LANDSCAPE BOOK

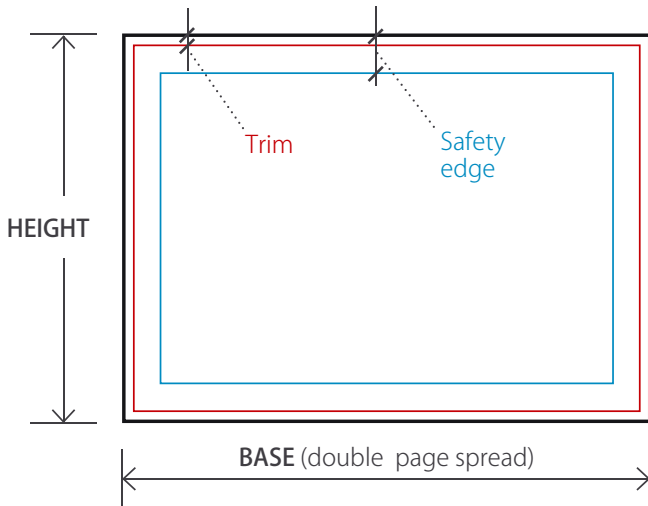
You do not need to supply different files to print different sizes

LANDSCAPE	BASE cm.	HEIGHT cm.	TRIM* mm.	EDGE mm.	SUGGESTED RESOLUTION dpi
45X35	94,4	34,5	5	15	200-250
40x30	82	30	6	15	200-250
35x25	69,4	25,5	5	15	250-300
30x20	58,2	21,3	3	10	250-300
13x10	26,8	8,3	3	8	300

*Trim measurements are indicative (during the production they may change a little bit).

COVER SIZES LANDSCAPE

You do not need to supply different files to print different sizes



Transparent covers

LANDSCAPE	BASE cm.	HEIGHT cm.	TRIM* mm.	EDGE mm.	SUGGESTED RESOLUTION dpi
45x35	46,1	34,9	4	12	200-250
40x30	39,9	30,4	4	12	200-250
35x25	33,6	26,1	4	12	250-300
30x20	28	22,1	4	12	250-300

Soft silk covers

LANDSCAPE	BASE cm.	HEIGHT cm.	TRIM* mm.	EDGE mm.	SUGGESTED RESOLUTION dpi
45x35	49,7	39,5	30	45	200-250
40x30	43,5	35	25	35	200-250
35x25	37,6	30,4	25	35	250-300
30x20	32	26,4	20	30	250-300

Metallic covers

LANDSCAPE	BASE cm.	HEIGHT cm.	TRIM* mm.	EDGE mm.	SUGGESTED RESOLUTION dpi
45x35	43,8	31,3	4	12	200-250
40x30	38,3	30,8	4	12	200-250
35x25	32	26,5	4	12	250-300
30x20	26,5	22,3	4	12	250-300

PHOTOSHOP SETTINGS

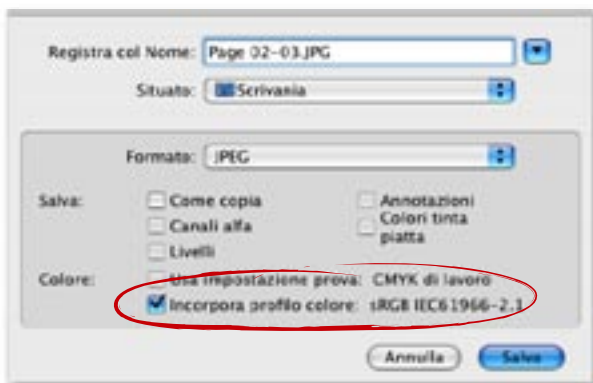
Method: Colour RGB

Registration type:

JPEG (maximum quality), TIFF, PSD.

During the registration activate:

"INCLUDE COLOUR PROFILE"



INTERNET

For sizes updating check your secure area on our website and download **"PRINT AND BIND"** pdf.



PDF

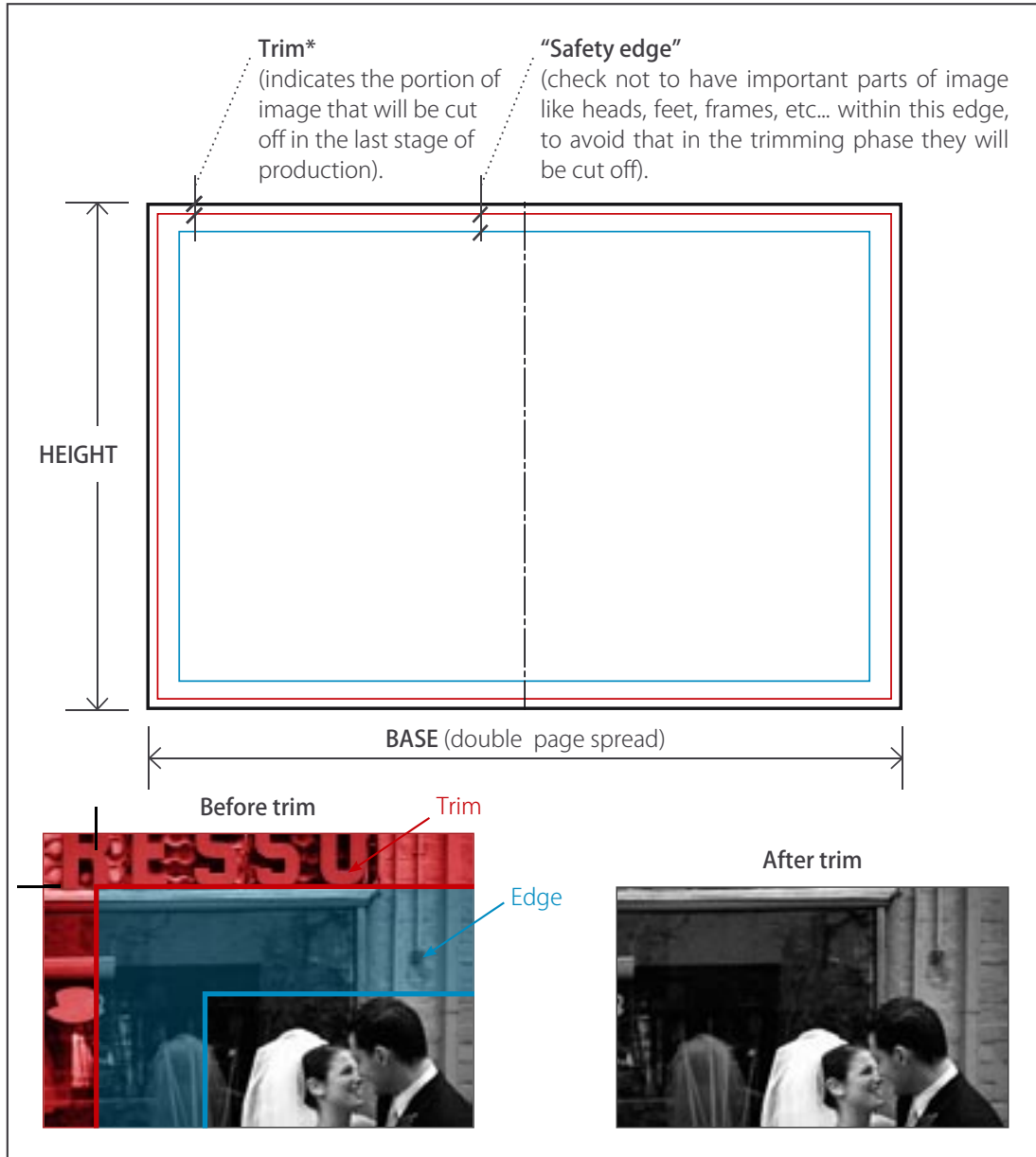
If you use other softwares such as: Adobe InDesign, QuarkXPress, and so on... , we suggest to send us the file registered according to the Acrobat default style: **"PRINTER"**.



Should you have any doubt, feel free to send us an e-mail containing some files to be checked.

Print & Bind: vertical book

Update:10/03/2006



VERTICAL BOOK

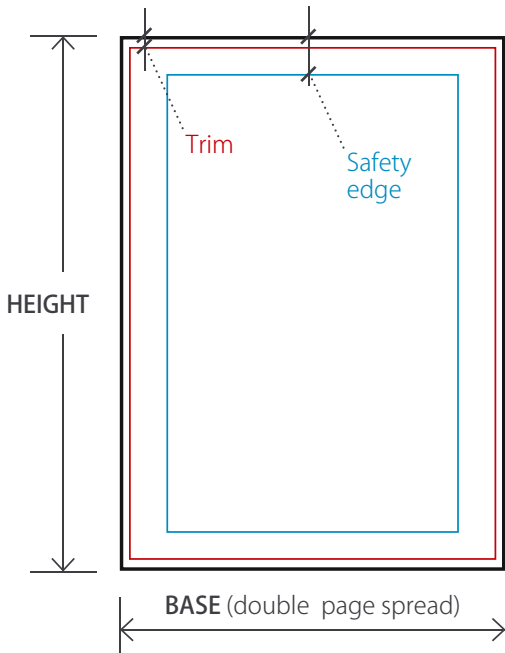
You do not need to supply different files to print different sizes

VERTICAL	BASE cm.	HEIGHT cm.	TRIM* mm.	EDGE mm.	SUGGESTED RESOLUTION dpi
40x50	74,4	50,8	6	15	200-250
35x45	69	47,2	5	15	200-250
30x40	60	41	6	15	200-250
25x35	50,8	34,7	5	15	250-300
20x30	42,6	29,1	3	10	250-300
10X13	18,4	12,6	3	8	300

* Trim measurements are indicative (during the production they may change a little bit).

COVER SIZES VERTICAL

You do not need to supply different files to print different sizes



Transparent covers

VERTICAL	BASE cm.	HEIGHT cm.	TRIM* mm.	EDGE mm.	SUGGESTED RESOLUTION dpi
40x50	-	-	-	-	-
35x45	33,4	47,4	4	12	200-250
30x40	28,7	40,9	4	12	200-250
25x35	24,4	35,4	4	12	250-300
20x30	21	29,6	4	12	250-300

Soft silk covers

VERTICAL	BASE cm.	HEIGHT cm.	TRIM* mm.	EDGE mm.	SUGGESTED RESOLUTION dpi
40x50	40	56	30	45	200-250
35x45	38	51	30	45	200-250
30x40	32	46	25	35	200-250
25x35	28,4	40,7	25	35	250-300
20x30	23,3	33,5	20	30	250-300

Metallic covers

VERTICAL	BASE cm.	HEIGHT cm.	TRIM* mm.	EDGE mm.	SUGGESTED RESOLUTION dpi
40x50	47,8	31	5	15	200
35x45	44,5	31	5	15	200-250
30x40	26,8	41,6	4	12	200-250
25x35	22,8	37,5	4	12	250-300
20x30	19,8	31,2	4	12	250-300

PHOTOSHOP SETTINGS

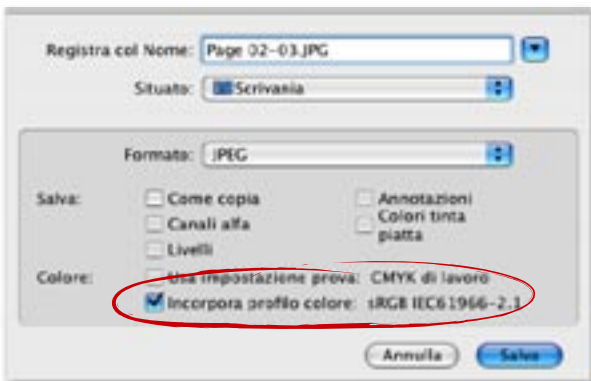
Method: Colour RGB

Registration type:

JPEG (maximum quality), TIFF, PSD.

During the registration activate:

"INCLUDE COLOUR PROFILE"



INTERNET

For sizes updating check your secure area on our website and download **"PRINT AND BIND"** pdf.



PDF

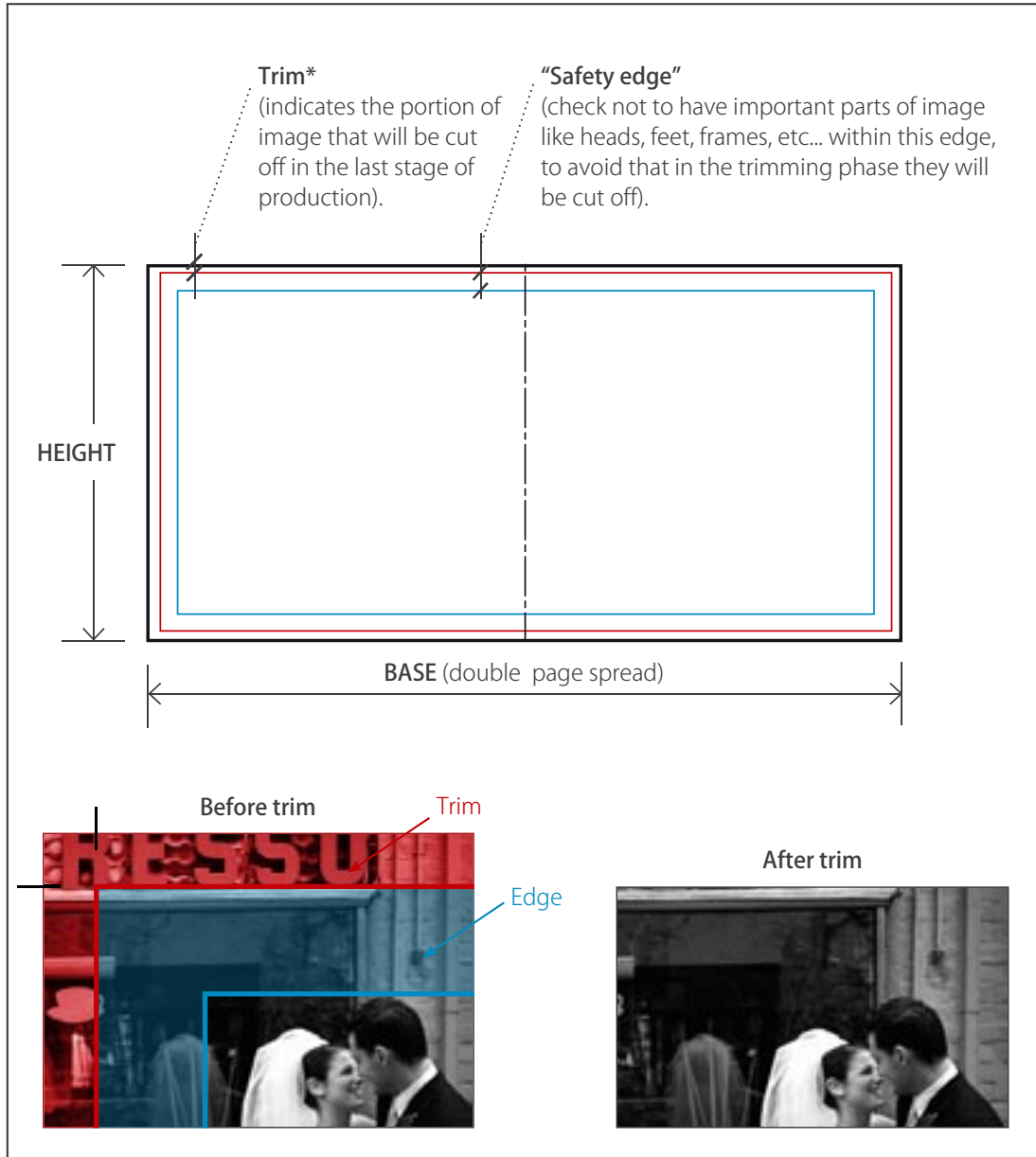
If you use other softwares such as: Adobe InDesign, QuarkXPress, and so on... , we suggest to send us the file registered according to the Acrobat default style: **"PRINTER"**.



Should you have any doubt, feel free to send us an e-mail containing some files to be checked.

Print & Bind: square book

Update:10/03/2006



SQUARE BOOK

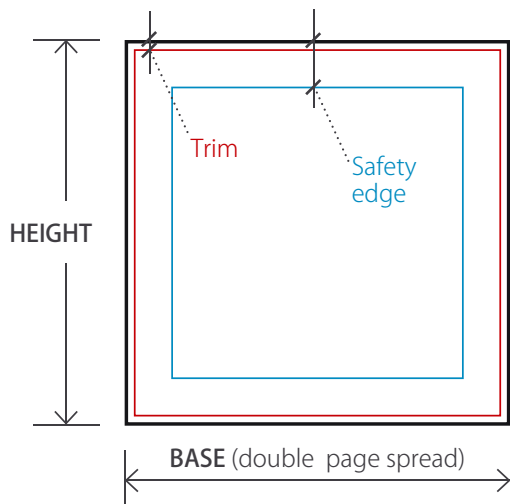
You do not need to supply different files to print different sizes

SQUARE	BASE cm.	HEIGHT cm.	TRIM* mm.	EDGE mm.	SUGGESTED RESOLUTION dpi
40x40	79,8	40,6	6	15	200-250
33x33	66,9	34	6	15	200-250
25X25	50,8	25,8	3	15	250-300
20x20	42,6	21,6	3	10	250-300
10x10	18,4	9,4	3	8	300

*Trim measurements are indicative (during the production they may change a little bit).

COVER SIZES SQUARE

You do not need to supply different files to print different sizes



Transparent covers

SQUARE	BASE cm.	HEIGHT cm.	TRIM* mm.	EDGE mm.	SUGGESTED RESOLUTION dpi
40x40	38,9	41,4	4	12	200-250
33x33	32,5	34,4	4	12	200-250
25x25	24,5	26,5	4	12	250-300
20x20	21	22	4	12	250-300

Soft silk covers

SQUARE	BASE cm.	HEIGHT cm.	TRIM* mm.	EDGE mm.	SUGGESTED RESOLUTION dpi
40x40	42	45,5	25	35	200-250
33x33	36,5	38,5	25	35	200-250
25x25	28,4	31	25	35	250-300
20x20	23	25	20	30	250-300

Metallic covers

SQUARE	BASE cm.	HEIGHT cm.	TRIM* mm.	EDGE mm.	SUGGESTED RESOLUTION dpi
40x40	30,9*	38,4*	4	12	200-250
33x33	30,5	33,4	4	12	200-250
25x25	26,5	22,5	4	12	250-300
20x20	19,2	22,5	4	12	250-300

*la copertina ha un bordo in pelle.

PHOTOSHOP SETTINGS

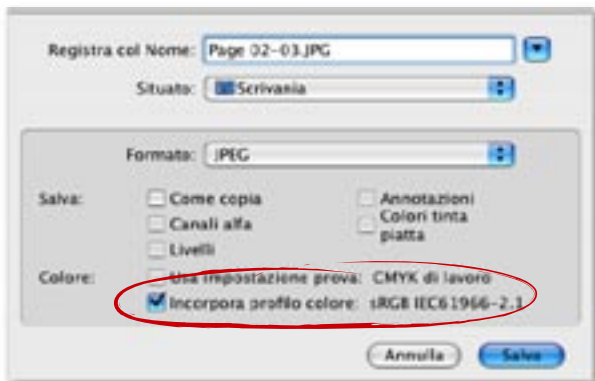
Method: Colour RGB

Registration type:

JPEG (maximum quality), TIFF, PSD.

During the registration activate:

"INCLUDE COLOUR PROFILE"



Should you have any doubt, feel free to send us an e-mail containing some files to be checked.

INTERNET

For sizes updating check your secure area on our website and download **"PRINT AND BIND"** pdf.



PDF

If you use other softwares such as: Adobe InDesign, QuarkXPress, and so on... , we suggest to send us the file registered according to the Acrobat default style: **"PRINTER"**.

